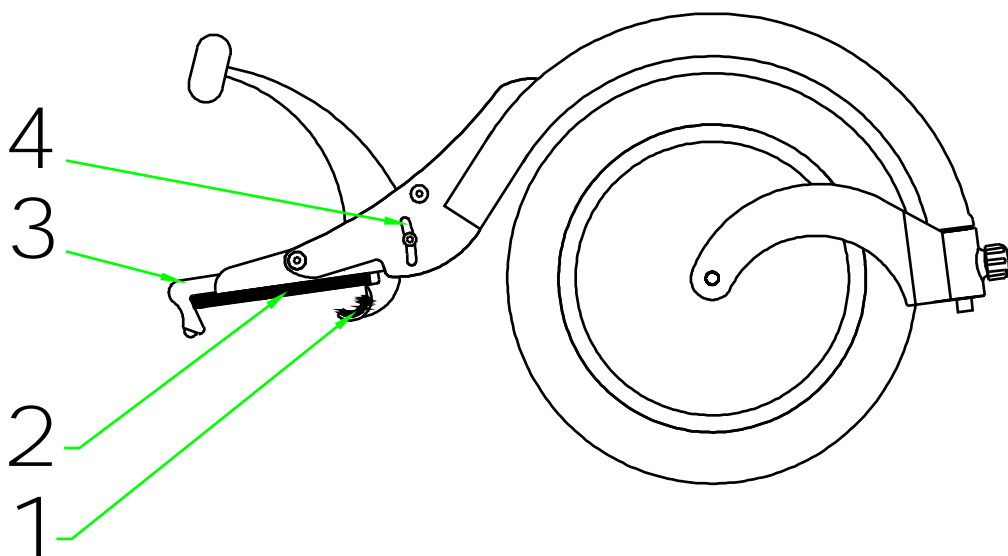
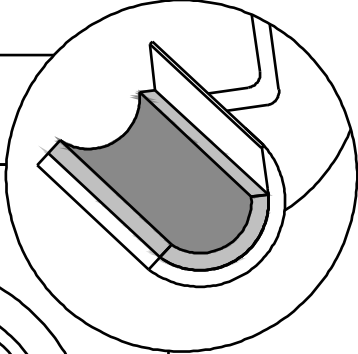
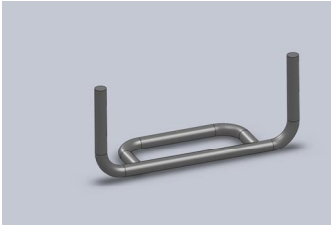
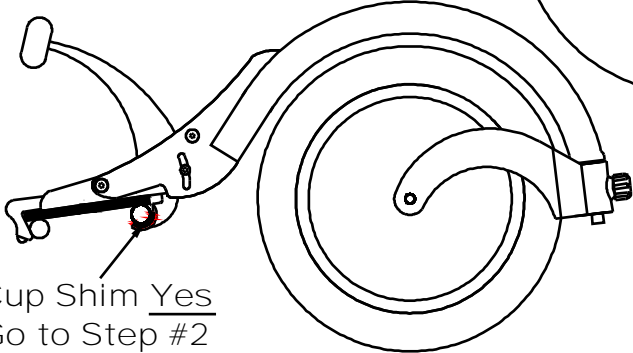
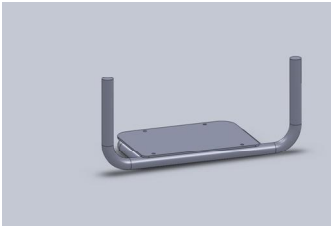
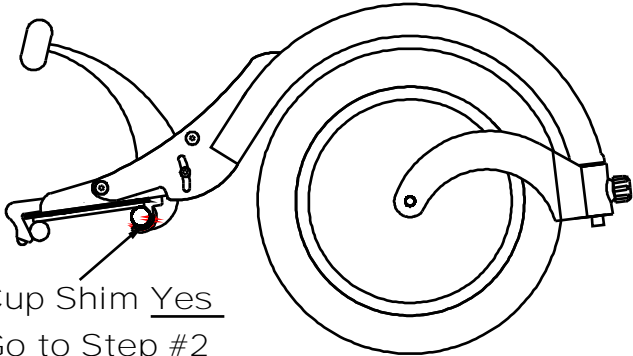

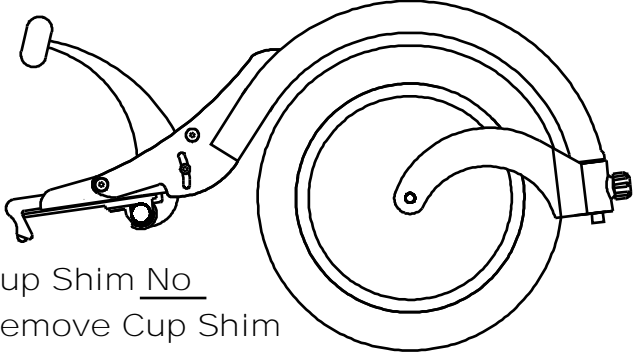


## 4 Easy Steps

1. Need Cup Shim?
2. Need Straight Shim?
3. Rear End, Short or Long?
4. Angle adjustment



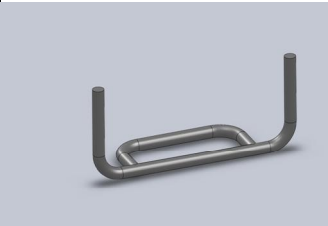
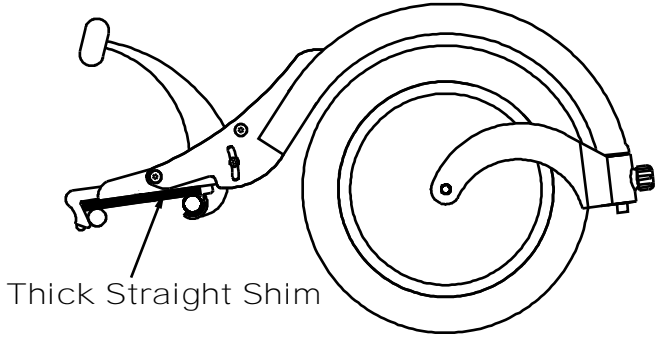
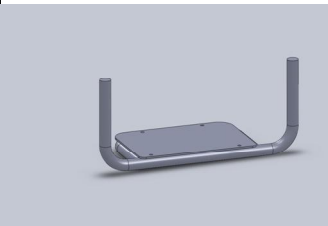
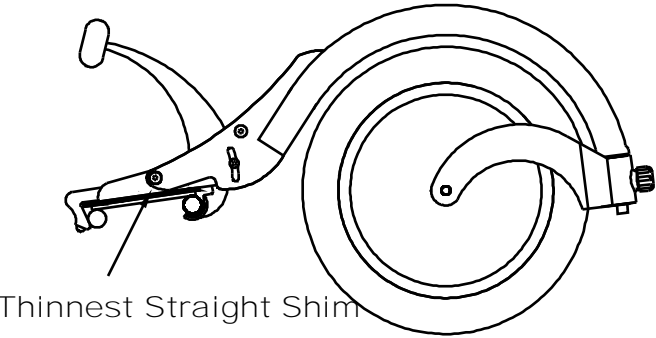

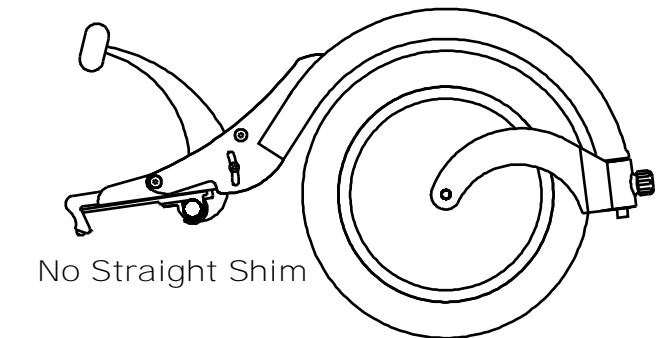
# Step #1 Need Cup Shim

Foot Rest Type	Yes/ No ?	
<p data-bbox="288 533 408 566">2 Tube</p> 	 <p data-bbox="595 848 831 920">Cup Shim <u>Yes</u> Go to Step #2</p>	
<p data-bbox="228 992 480 1025">2 Tube w/plate</p> 	 <p data-bbox="595 1285 831 1357">Cup Shim <u>Yes</u> Go to Step #2</p>	
<p data-bbox="253 1458 461 1491">Clamp Plate</p>  <p data-bbox="225 1783 419 1816">*See Last Page</p>	 <p data-bbox="592 1688 900 1760">Cup Shim <u>No</u> Remove Cup Shim</p>	

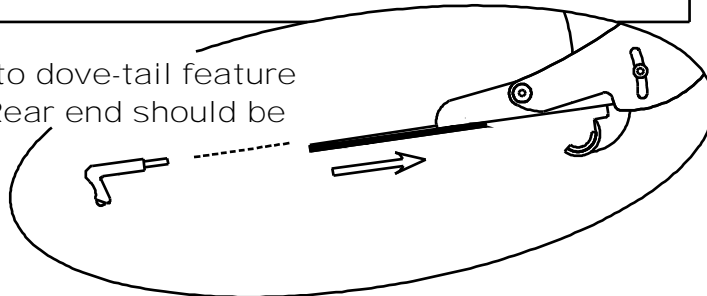
Cup Shim comes installed.

# Step #2 Which Straight Shim?

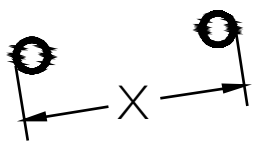
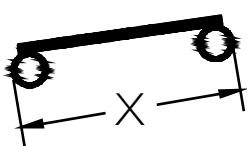
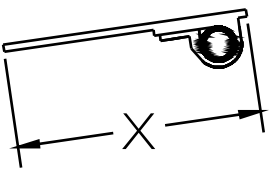
Choice of Straight shim helps with the fit of the clamp to your footrest.

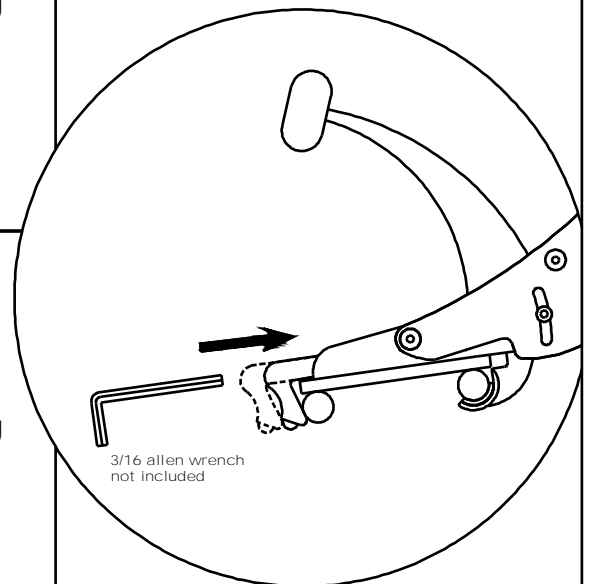
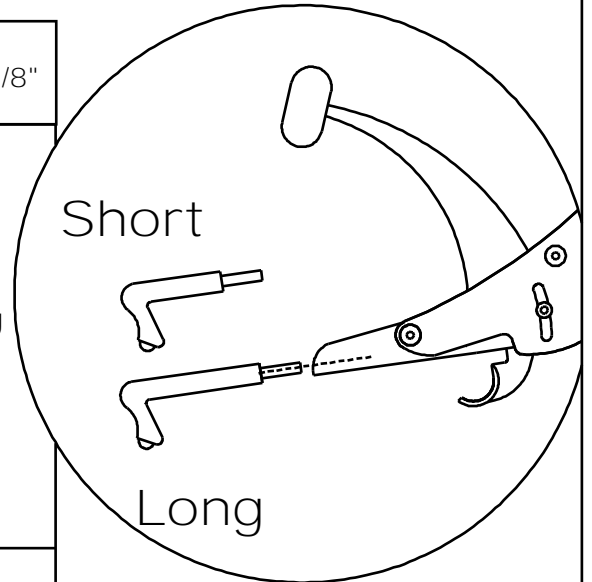
Foot Rest Type	Straight Shim Choice
2 Tube 	 Thick Straight Shim
2 Tube w/plate 	 Thinnest Straight Shim
Clamp Plate  <b>* See Last Page</b>	 No Straight Shim

Insert straight shim into dove-tail feature found in clamp base. Rear end should be removed.



# Step #3 Which Rear End?

Foot Rest Depth	X= to 4 7/8"	X= 5" - 6 3/8"
2 Tube 	Short	Long
2 Tube w/plate 	Short	Long
Clamp Plate 	Short	Long

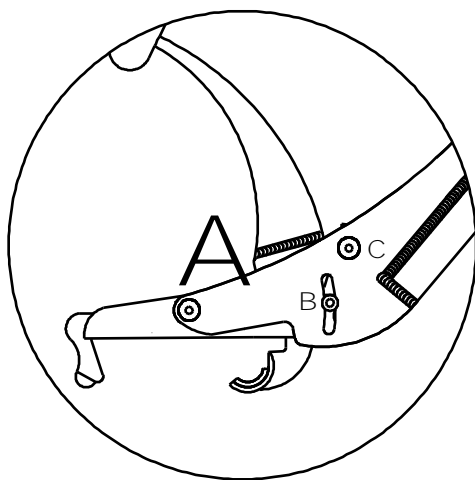


1. Cut straight shim same length as footrest depth. Use hack saw
2. Install straight shim then rear end. Clamp onto footrest then adjust rear end to touch footrest.

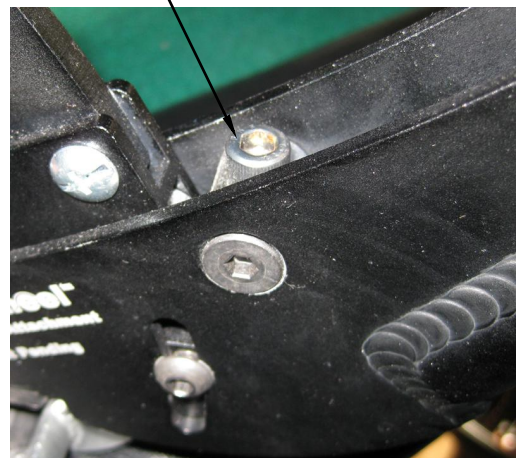
# Step #4 Angle Adjustment



FreeWheel wheel pointing forward.  
Tire should be touching the ground. If not,  
adjust so that it is.



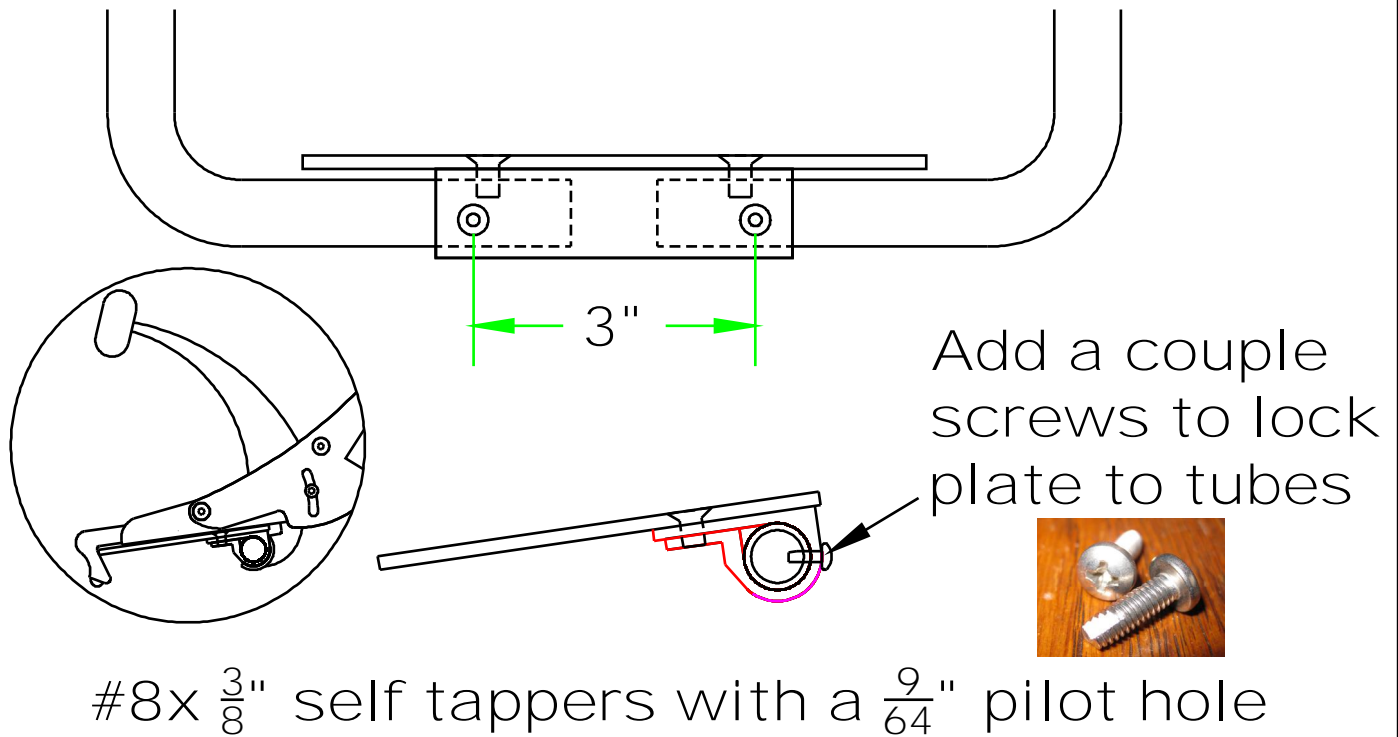
Angle Bolt



To adjust, loosen bolts A, B & C both sides  
(Don't have to remove, just loosen)

Adjust angle bolt 'til FreeWheel wheel is  
touching the ground. Re-tighten A, B & C  
(both sides)

### Screw directions for clamp plates.



### TiLite Clamp Plate users

