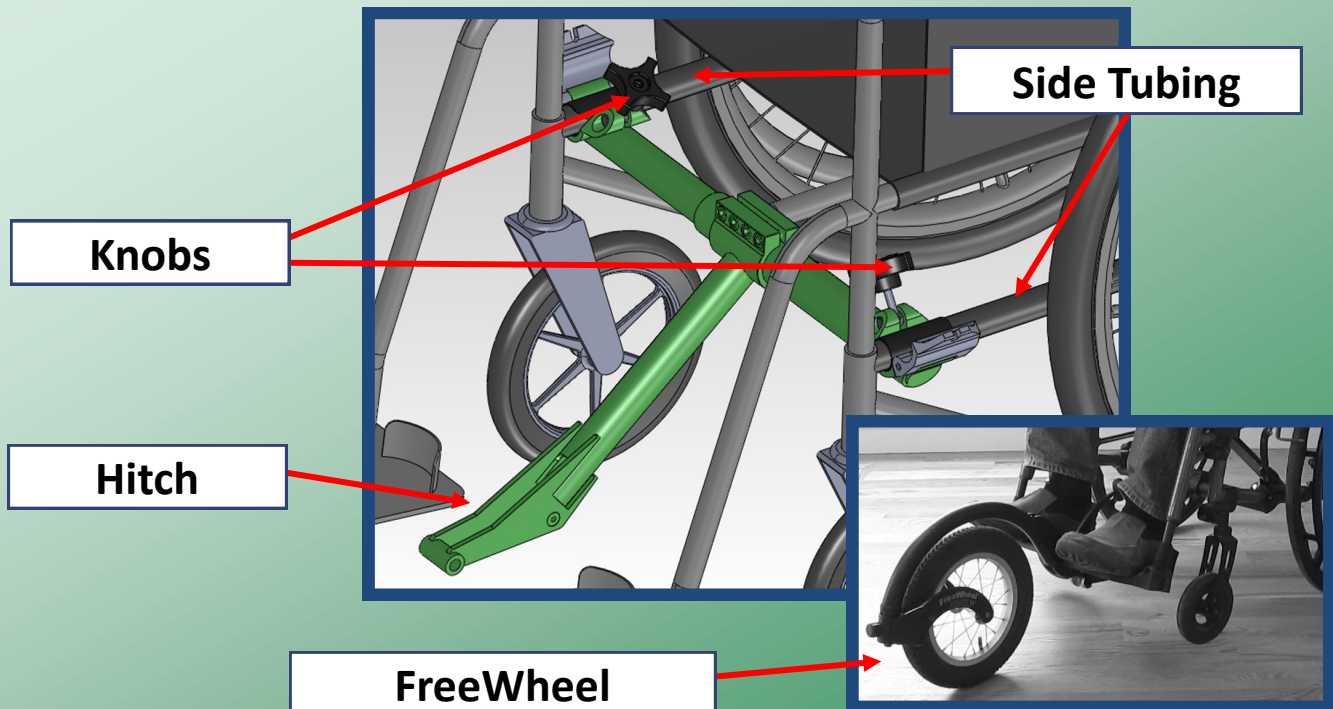


## ADAPTOR

PATENT PENDING



### FreeWheel Adaptor for Folding Wheelchairs Now Available!

Individuals with folding wheelchairs may now experience the independence, freedom and added safety the FreeWheel provides.

Using the horizontal side tubing, the Adaptor securely clamps on to a folding wheelchair. Once set up for the individual chair, it comes on and off in seconds, making it easy to use.

The Adaptor and FreeWheel may be used on wheelchairs that have 2 or 1 flip up footrest types.

**Mobility. Independence. Freedom. FreeWheel.**

### SPECIFICATIONS

- ◆ Need 2.5" of round, horizontal side tubing to attach Folding Wheelchair Adaptor. May be angled, as long as the sides are parallel.
- ◆ Round horizontal tubing may be 1" or 1-1/8" in diameter.
- ◆ Width between horizontal tubing 13" to 19".
- ◆ Side tubing height: 2 footrests 6" to 16".  
Single footrest 10" to 16".
- ◆ FreeWheel clamps on to "HITCH".
- ◆ Easily remove Adaptor by unscrewing knobs on side tubing.
- ◆ Maximum height 4" on single footrest.
- ◆ Weight 3 lbs.