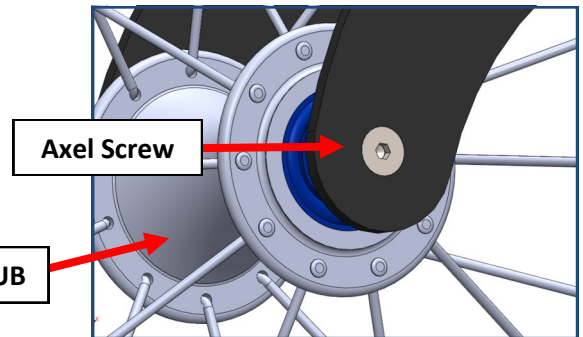


FOR SILVER HUB ONLY!*

How to Remove Wheel for Tire/Tube Change

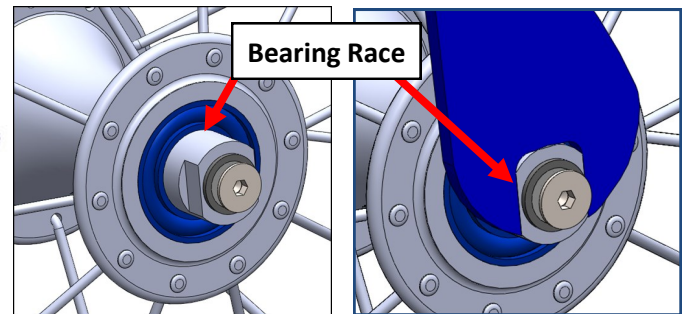
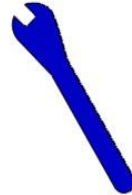
STEP ONE

Do NOT use a 3mm allen wrench and try to loosen the Axle Screw. It will not move and is easily stripped.



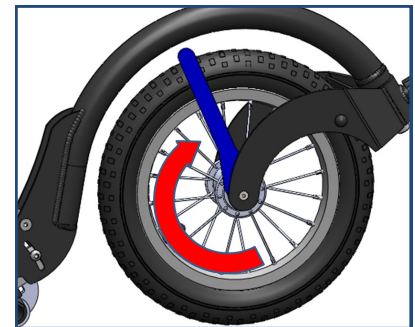
STEP TWO

- A. Start by loosening the Bearing Race using a 13 mm flat wrench (found at any bike shop).
- B. Turn wrench CLOCKWISE to loosen. Do this on BOTH sides.
- C. Once both sides are loosened, use 3mm allen wrench to remove Axle Screw.



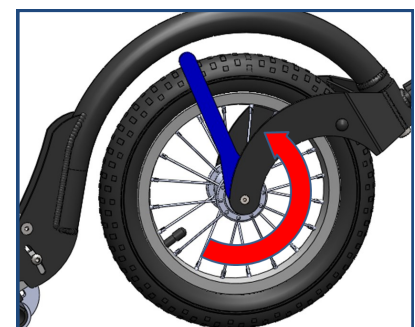
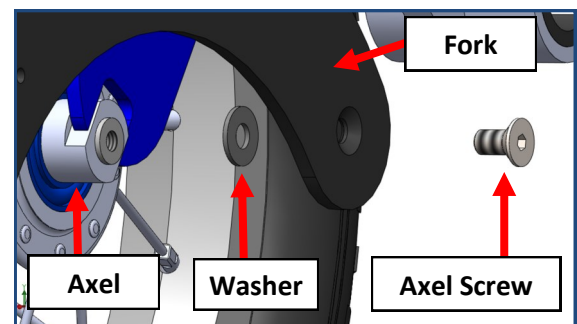
NOTE: The wheel may not spin as easily at this time. This is normal and will spin easily after re-assembly.

- D. Once the Axle Screw is removed there may be a washer that needs to be installed between the Fork and the Axle when you re-assemble.



STEP THREE

- A. Assemble in the reverse order, remembering to install the washer(s), if applicable.
- B. Install Axle Screw all the way in.
- C. Do the final tightening of the Bearing Race by turning the 13 mm flat wrench COUNTER CLOCKWISE. This needs to be done on BOTH sides (tightens the bearing



*If your FreeWheel hub is BLACK, please refer to page 8 of the on-line FreeWheel Set-Up Guide under the PRODUCTS tab at www.gofreewheel.com
If you have any additional questions please contact us at:
info@gofreewheel.com